



SCREW PUMP



주식회사 플루마

Fluma Co., Ltd.

HYDRAULIC, PNEUMATIC AND ELECTRIC TECHNOLOGY

SCREW PUMP - GENERAL

SCREW PUMP - 개요

SETTIMA SCREW PUMPS

Settima supplied by Fluma is the European leader in screw pumps for lift and elevator, having literally more than 500,000 of installation. The SETTIMA products are sold around the entire world and are the highest quality and cheaper on the market. The SETTIMA wealth is the employed team and all the people co-operating with them. The SETTIMA pumps are reliable, low noise and low cost; run without pulsation and guarantee a long life to your application.

USES

The SETTIMA screws pumps coupled together with external or immersed motors run quietly and without pulsation. Are used in hydraulic application and systems of every kind.

OPERATION

The screws pumps of SETTIMA are positive displacement rotary pump with axial flow design. There are only three moving parts. The power rotor is the only driven part that extends outside the case. The idler screws actually acts as sealing parts and are turned hydraulically by the fluid being pumped.

There is only a rolling action between the drive screw and the idler ones. The rolling action eliminates noise and vibration.

SETTIMA SCREW PUMP

FLUMA를 통해 공급되는 SETTIMA PUMP는 유압과 엘리베이터용 펌프 분야에서 유럽 제일의 브랜드로 500,000 대의 설비시설을 갖추고 있다. SETTIMA 제품은 전세계에서 공급되고 있으며, 고품질 및 경쟁력있는 가격으로 판매되고 있다. SETTIMA의 힘은 직원의 역량과 팀워크에 있다. SETTIMA 펌프는 믿을 수 있는 품질에 저소음, 경쟁력있는 가격의 강점을 가지고 있으며, 진동 역시 적으며, 여러 application 에도 오랜 수명을 보증 할 수 있다.

적용

외장 혹은 내장 모터와 결합되는 SETTIMA SCREW PUMP는 모터는 소음과 진동을 최소화 하여 작동된다. 거의 모든 분야의 유압 설비 및 시스템에 사용된다.

작동

SETTIMA SCREW PUMP는 axial flow 디자인을 이용한 로터리 펌프이다. 오직 세 부품만이 작동된다. Power rotor 만이 몸체 바깥부분 중에서 회전하는 부품이다. Idler screw는 실제로 유체를 펌핑되는 유체에 의해 회전하면서 sealing 의 역할을 한다. 이 회전하는 힘이 소음과 진동을 줄인다.

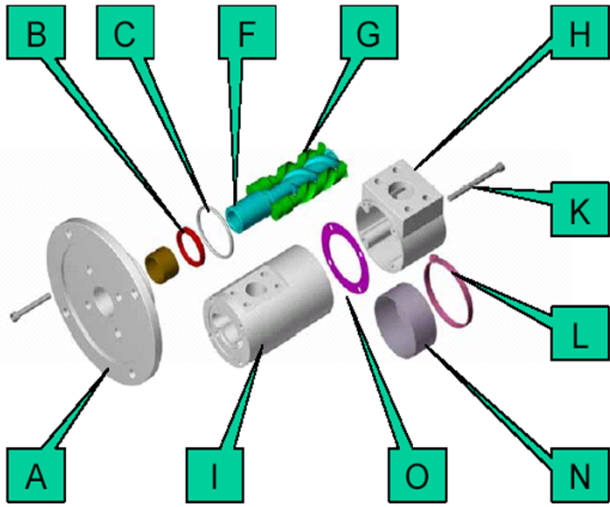


SCREW PUMP – GENERAL SPECIFICATION

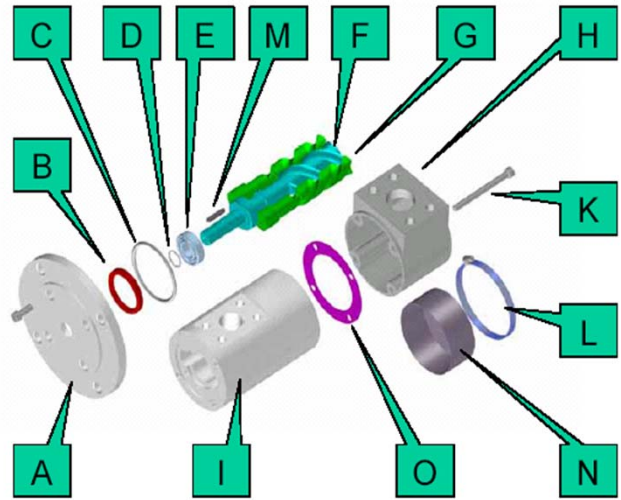
SCREW PUMP – 일반적인 사양

No	Classification	Description
1	Installation type 설치 구분	Dry - Tank 외부 설치 Submersed - Tank 내부 설치
2	Flange type / Connection 플렌지 타입 / 연결부	GAS thread type or ISO 3019/2 / SAE 3000psi
3	Installation position 설치 위치	Vertical installation - 수직 설치 Horizontal installation - 수평설치
4	Drive loading(Only for screw pump) 운전 하중 (Screw pump 만 적용)	No axial or radial loads 축 방향 하중 없음 혹은 반지름 방향 하중
5	Shaft rotation direction 축 회전 방향	Clockwise viewed at the shaft end 축 끝단에서 시계방향 회전
6	Shaft speed 축 회전 속도	700rpm ~ 3600rpm
7	Displacements flow 토출 유량	Refer detail specification for each pump model
8	Inlet pressure 흡입 압력	-0.7bar ~ 3bar
9	Outlet pressure 토출 압력	- SMT16B model : Max. 40bar - SMT model : Max. 80bar
10	Available fluids 적용 가능 유체	Mineral Oil HLP eHLVP Ecolog fluids HETG-HEPG-HEE Synthetic fluid or emulsion HFA oil-water emulsion - Oil minimum 5% HFB water-oil emulsion ≥ 40%(con) HFC water/glycole - Water max to 55% HFDR phosphate ester Lubrication high viscosity oils Special synthetic fluid : MIL-H, SKYDROL, special on request
11	Viscosity 점도	Screw pump : 4 mm ² /s ~ 2,000 mm ² /s
12	Available seal material 적용 가능 씰 소재	NBR, VITON, FPM, EPDM - Special on request
13	Noise 소음 정도	52dB(A) ~ 68dB(A) at 2,750rpm
14	Contamination level 오염 정도	Screw pump : NAS1638 / class10 or ISO4406 / -/19/16
15	Environment temperature 주위 온도	Screw pump : -20℃ ~ 60℃
16	Hydraulic temperature 오일 온도	Screw pump : -20℃ ~ 180℃ (Depended on seal material)

SCREW PUMP - CONSTRUCTION
SCREW PUMP - 구조



Direction coupling type
직결형 타입



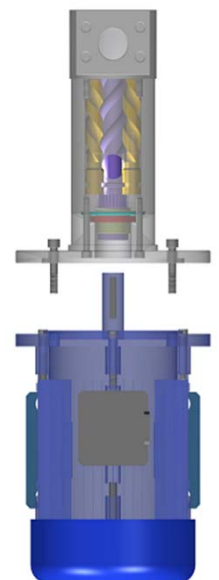
Normal shaft type
일반 타입

A	Mounting flange	E	Bell bearing*	I	Body	O	Plane gasket
B	Seals	F	Main screw	K	TCEI screws	L	Hose damp
C	O-ring seals	G	Idler screw	M	Key		
D	Seeger	H	Suction cover**	N	Filter***		

E(*) Only for male shaft, H(**) Only for dry pump, N (***) Only for submersible pump

Available Direction coupling code according to motor flange
모터 플렌지에 따른 직결형 타입 코드

Model	Motor frame	56	63	71	80	90	100	112	132
	Settima code	AC9	AC11	AC14	AC24	AC28	AC28	AC28	AC38
	Motor mount								
GR20	B5								
GR25	B5								
GR32	B5								
GR40	B5								
GR45	B5								
GR55	B5								
GR60	B5								
GR70	B5								



SCREW PUMP - ORDER DESIGNATION
SCREW PUMP - 주문코드

GR45 SMT 180L SN G AC28 B5 RP OX V

1 2 3 4 5 6 7 8 9 10 11

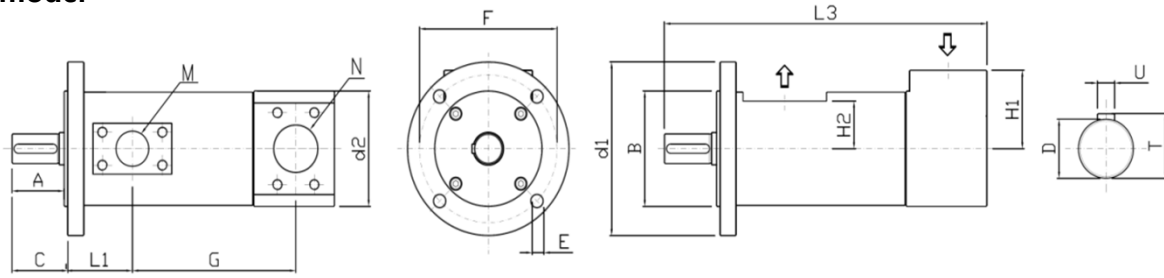
1	Screw pump type Screw pump 타입	◀	GR20 ~ GR1100 (SMT16B or SMIT16B Model) GR20 ~ GR80 (SMT or SMIT Model)
2	Screw pump model - 1 Screw pump 모델 - 1	◀	SMT16B : 0 ~ 40bar – Dry type SMIT16B : 0 ~ 40bar – Submersible type SMT : 0 ~ 80bar – Dry type SMIT : 0 ~ 80bar – Submersible type
3	Screw pump model – 2 Screw pump 모델 - 2	◀	8L ~ 3,200L (SMT16B or SMIT16B Model) 8L ~ 1,200L (SMT or SMIT Model)
4	Special model for high viscosity 오일 점도에 따른 특별사양	◀	None : 0 cst ~ 100 cst S1 : 100cst ~ 250cst S2 : 250cst ~ 500cst S3 : 500 cst ~ 800cst S4 : 800 ~ 1,000cst SN : ~ 10,000 cst
5	Pump body material Pump body 재질	◀	None : Aluminium G : Cast iron A : Carbon steel (18NiCrMo5)
6	Direction coupling type 직결형 타입	◀	AC9 ~ AC38 (According to Motor shaft's size)
7	Flange type ¹⁾ 플렌지 타입 ¹⁾	◀	B5 / B14 / B5R
8	Relief valve type 릴리프 밸브 타입	◀	None : No valve RF1 : ~ 5bar RF2 : ~ 10bar RF3 : ~ 15bar RP : Variable valve (조절 타입)
9	Anodic oxidation ²⁾ 표면 산화 처리 ²⁾	◀	None : No treatment OX : Anodic oxidation
10	Seal material 씰 재질	◀	None : NBR V : Viton E : EPDM F : FPM
11	Coupling type	◀	None : O-ring seal TMU : Mechanical seal FGMA : Magnetic coupling type

1) Flange type : This code is only applied for direction coupling type pump.
2) Anodic oxidation : It is only applied a ALU for pump body material.

1) 플렌지 타입 : 이 코드는 직결형 타입의 펌프에만 적용된다.
2) 표면 산화 처리 : 알루미늄 재질의 펌프에만 적용된다.

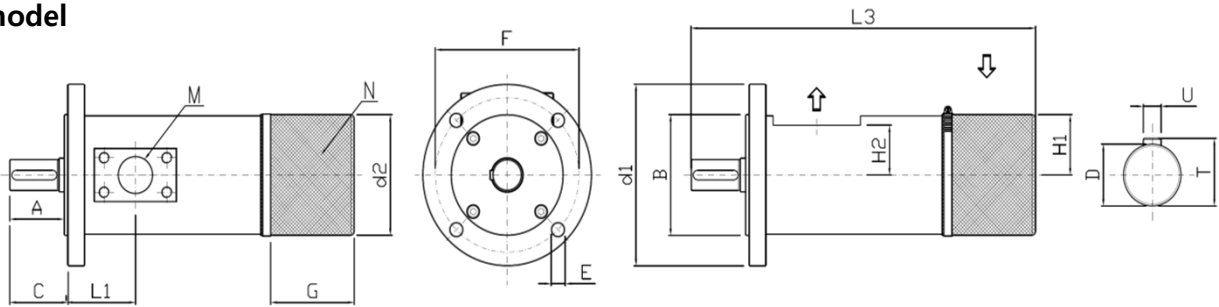
SCREW PUMP – SMT16B & SMIT16B MODEL DIMENSION
SCREW PUMP – SMT16B & SMIT16B 모델 치수

SMT16B model



Type	Flange				Shaft				Suction		Discharge		Pump					
	B	E	F	d1	A	D	T	U	N	H1	M	H2	C	d2	L3	L1	G	Kg
GR 20 8-12-15-20L	80	11	103	125	31	14	16	5	1/2" BSPP	25	1/2" BSPP	25	37	59	187	53	78	1.5
GR25(Hollow shaft) 25-30L	70	6.5	85	105	-	14	16.2	5.2	3/4" BSPP	26.7	1/2" BSPP	27.3	-	65	174	70	86	2.7
GR32 35-45-55-75L	100	11	125	150	35	19	21.5	6	1 1/4" SAE	55	1" SAE	42	41	95.5	259	62	122	4.4
GR40 100-125-150L	125	14	160	188	36	19	21.5	6	1 1/2" SAE	65	1 1/4" SAE	46.5	42.5	112	304	69	149.5	7
GR45 180-210L	125	14	160	188	55	32	35	10	2" SAE	85	1 1/2" SAE	51.5	64.5	126.5	375	75.4	189.7	11
GR55 250-300-330-380L	160	18	200	235	55	32	35	10	2 1/2" SAE	94	2" SAE	55	64.5	148.5	403.2	83.5	203	15.5
GR60 440-500L	160	18	200	235	55	32	35	10	3" SAE	105	2 1/2" SAE	63.5	65.5	160	439.5	83.5	228	25
GR70 600-660-800L	200	22	250	300	55	32	35	10	3 1/2" SAE	110	3" SAE	73	65.5	180	506.5	94.5	278.5	30
GR80 1000-1200L	200	22	250	300	60	38	41	10	4" SAE	125	3" SAE	83	75	210	594	150	296	47.5
GR90 1500-2200L	250	26	300	350	110	55	59	16	5" SAE	140	4" SAE	100	118	250	1000	256	525	95
GR110 2300-3200L	250	26	300	350	110	55	59	16	5" SAE	140	4" SAE	100	118	250	995	287	490	120

SMIT16B model



Type	Flange				Shaft				Discharge			Pump				
	B	E	F	d1	A	D	T	U	M	H2	C	G	d2	L1	L3	Kg
GR 20 8-12-15-20L	80	11	103	125	31	14	16	5	3/4" BSPP	25	37	40	60	67.3	197	1.3
GR25(Hollow shaft) 25-30L	70	6.5	85	105	-	14	16.2	5.2	1/2" BSPP	27.3	-	65	174	70	84	2.7
GR32 35-45-55-75L	100	11	125	150	36	19	21.5	6	1" SAE	42	41	70	96	62	265	4
GR40 100-125-150L	125	14	160	188	36	19	21.5	6	1 1/4" SAE	46.5	42.5	70	110	69	295	6.4
GR45 180-210L	125	14	160	188	55	32	35	10	1 1/2" SAE	51.5	64.5	70	124	75.4	355	10
GR55 250-300-330-380L	160	18	200	235	55	32	35	10	2" SAE	55	64.5	100	145.0	83.5	400	15
GR60 440-500L	160	18	200	235	55	32	35	10	2 1/2" SAE	63.5	65.5	100	155	83.5	415	22
GR70 600-660-800L	200	22	250	300	55	32	35	10	3" SAE	73	65.5	100	182	94.5	461	26
GR80 1000-1200L	200	22	250	300	60	38	41	10	3" SAE	83	75	100	202	150	543	45
GR90 1500-2200L	250	26	300	350	110	55	59	16	4" SAE	100	118	100	250	256	950	93
GR110 2300-3200L	250	26	300	350	110	55	59	16	4" SAE	100	118	100	250	287	874	117

SCREW PUMP – SMT16B Performances (2Pole – 50Hz)
SCREW PUMP – SMT16B 성능 (2Pole – 50Hz)

			6 cSt					68 cSt					400 cSt (*)				
			Operating pressure (bar)					Operating pressure (bar)					Operating pressure (bar)				
Tipo			5	10	20	30	40	5	10	20	30	40	5	10	20	30	40
GR20	8 L	l/min	8.30	8.00	7,2	-	-	9.00	8.80	8.60	8.30	8.00	9.60	9.30	9.00	8.60	8.30
	12 L	l/min	12.40	12.00	10.60	-	-	14.30	13.50	13.10	12.70	12.30	14.60	14.20	13.80	13.20	12.60
	15 L	l/min	16.00	15.60	14.00	-	-	18.50	17.50	17.00	16.50	16.00	18.60	18.30	18.00	17.40	17.00
	23 L	l/min	23.00	22.70	21.00	-	-	26.30	25.20	24.60	24.00	23.50	26.60	26.30	26.00	25.20	24.80
GR25	25 L	l/min	27.70	26.80	23.70	-	-	31.90	30.10	29.20	28.30	27.50	32.60	31.70	30.80	29.50	28.10
	30L	l/min	34.60	33.50	29.60	-	-	39.90	37.70	36.60	35.40	34.30	40.70	39.60	38.50	36.80	35.20
GR32	35 L	l/min	35.80	35.00	32.60	-	-	40.30	39.00	38.40	37.80	37.20	41.00	40.60	40.00	39.00	38.70
	45 L	l/min	45.20	44.00	40.60	-	-	49.30	48.80	48.40	48.00	47.50	51.30	50.80	50.30	49.20	48.80
	55 L	l/min	55.80	54.60	50.40	-	-	59.00	58.00	57.00	56.00	55.00	60.00	59.40	58.70	57.70	57.30
	75 L	l/min	76.00	74.70	69.00	-	-	82.00	80.30	79.60	78.00	75.80	82.00	81.40	80.60	79.20	78.50
GR40	100 L	l/min	98.40	97.00	90.50	-	-	106.00	104.00	100.00	96.00	92.80	107.00	106.00	105.00	103.00	102.40
	125 L	l/min	123.00	121.00	111.00	-	-	130.00	128.00	126.00	124.00	122.00	133.00	132.00	130.00	128.00	127.00
	150 L	l/min	145.00	143.00	135.00	-	-	153.00	151.00	149.00	147.00	144.50	155.60	155.00	153.00	151.00	149.00
GR45	180 L	l/min	174.20	172.00	161.00	-	-	185.00	183.00	180.00	177.00	174.00	188.00	187.00	185.00	182.00	180.00
	210 L	l/min	205.00	203.00	192.00	-	-	216.00	214.00	211.50	208.00	204.50	219.00	218.00	217.00	214.00	212.00
GR55	250 L	l/min	262.00	260.00	246.00	-	-	278.00	276.00	271.00	266.00	263.00	281.00	280.00	278.00	274.00	273.00
	300 L	l/min	293.80	291.00	276.00	-	-	308.00	305.00	301.00	297.00	293.00	311.60	310.00	308.00	304.00	302.00
	330 L	l/min	334.00	330.00	315.00	-	-	352.00	346.00	340.00	334.00	330.00	354.00	352.00	349.00	343.00	341.00
	380 L	l/min	373.00	370.00	356.30	-	-	389.00	386.50	382.00	378.00	374.00	396.00	394.40	391.00	387.10	383.00
GR60	440 L	l/min	438.80	436.00	413.00	-	-	458.00	455.00	450.00	445.00	440.00	464.00	462.00	459.00	453.00	451.00
	500 L	l/min	503.00	500.00	484.50	-	-	519.00	516.00	511.00	506.00	501.00	526.00	524.00	520.00	515.70	512.00
GR70	600 L	l/min	609.00	606.00	580.00	-	-	628.00	625.00	619.00	614.00	608.00	635.00	633.00	629.00	622.00	620.00
	660 L	l/min	663.00	660.00	636.00	-	-	684.00	681.00	676.00	671.00	665.00	691.00	689.00	685.00	676.00	674.00
	800 L	l/min	802.00	798.00	768.00	-	-	830.00	826.00	820.00	815.00	810.00	839.00	836.00	831.00	823.00	819.00
GR80	1,000 L	l/min	1000.00	996.00	972.00	-	-	1034.00	1030.00	1024.00	1017.00	1010.00	1043.00	1040.00	1035.00	1026.00	1023.00
	1,200 L	l/min	1218.00	1214.00	1170.00	-	-	1254.00	1250.00	1242.00	1234.00	1225.00	1268.00	1264.00	1258.00	1247.00	1241.00
GR90	1,500 L	l/min	1507.20	1461.30	1394.30	-	-	1544.90	1517.20	1476.70	1445.20	1418.60	1557.80	1536.30	1504.80	1480.30	1459.70
	1,700 L	l/min	1758.30	1704.80	1626.70	-	-	1802.40	1770.00	1722.80	1686.00	1655.00	1817.40	1792.30	1755.60	1727.10	1703.00
	2,000 L	l/min	2009.50	1948.40	1859.00	-	-	2059.90	2022.90	1968.90	1926.90	1891.50	2077.00	2048.40	2006.50	1973.80	1946.30
	2,200 L	l/min	2311.00	2240.70	2138.00	-	-	2368.80	2326.40	2264.40	2215.90	2175.20	2388.60	2355.60	2307.40	2270.00	2238.30
GR110	2,300 L	l/min	2251.40	2182.90	2082.80	-	-	2307.80	2266.40	2205.90	2158.80	2119.10	2327.00	2294.90	2248.00	2211.40	2180.60
	2,500 L	l/min	2551.60	2474.00	2360.50	-	-	2615.50	2568.60	2500.00	2446.70	2401.70	2637.30	2601.00	2547.70	2506.30	2471.30
	2,800 L	l/min	2851.80	2765.00	2638.20	-	-	2923.20	2870.80	2793.20	2734.50	2684.20	2947.60	2906.90	2847.40	2801.00	2762.00
	3,200 L	l/min	3302.10	3201.60	3054.80	-	-	3384.80	3324.10	3235.40	3166.30	3108.00	3413.00	3366.00	3297.00	3243.40	3198.00

SCREW PUMP – SMT16B Performances (4Pole – 50Hz)
SCREW PUMP – SMT16B 성능 (4Pole – 50Hz)

			6 cSt					68 cSt					400 cSt (*)				
			Operating pressure (bar)					Operating pressure (bar)					Operating pressure (bar)				
Tipo			5	10	20	30	40	5	10	20	30	40	5	10	20	30	40
GR20	8 L	l/min	3.70	3.60	3.00	-	-	4.20	4.00	3.90	3.70	3.50	4.50	4.40	4.30	4.20	4.10
	12 L	l/min	5.70	5.50	4.70	-	-	6.20	6.10	6.00	5.80	5.50	6.90	6.80	6.70	6.60	6.50
	15 L	l/min	7.30	7.00	5.90	-	-	8.20	8.00	7.80	7.40	7.00	8.90	8.80	8.70	8.50	8.20
	23 L	l/min	10.80	10.40	8.90	-	-	11.80	11.50	11.20	10.80	10.30	12.80	12.70	12.50	12.20	11.80
GR25	25 L	l/min	12.70	12.30	10.50	-	-	13.80	13.60	13.40	12.90	12.30	15.40	15.20	15.00	14.70	14.50
	30L	l/min	15.90	15.30	13.10	-	-	17.30	17.00	16.70	16.20	15.30	19.30	19.00	18.70	18.40	18.10
GR32	35 L	l/min	16.30	15.90	14.00	-	-	18.40	18.00	17.40	16.70	16.00	19.90	19.70	19.50	19.10	18.80
	45 L	l/min	20.50	20.00	17.80	-	-	22.80	22.50	22.00	21.20	20.50	25.00	24.80	24.40	23.90	23.40
	55 L	l/min	25.40	24.80	22.00	-	-	28.00	27.60	26.80	26.00	25.00	29.80	29.00	28.70	28.20	27.60
	75 L	l/min	34.50	34.00	31.00	-	-	39.00	38.50	37.00	36.00	35.00	40.80	40.00	39.40	38.80	38.00
GR40	100 L	l/min	48.10	44.50	39.00	-	-	50.20	49.80	48.00	46.70	45.20	52.70	52.00	51.30	50.20	49.00
	125 L	l/min	56.40	55.50	48.80	-	-	61.40	61.0	59.00	57.20	55.80	65.60	65.00	64.00	63.00	61.80
	150 L	l/min	67.00	66.20	58.40	-	-	73.40	72.90	71.00	68.60	67.00	77.00	76.20	75.20	74.00	72.70
GR45	180 L	l/min	81.50	80.40	74.00	-	-	88.60	88.00	87.50	83.40	81.20	92.90	92.00	90.80	89.30	87.90
	210 L	l/min	96.20	952.00	86.00	-	-	103.00	102.00	99.00	96.20	94.30	108.00	107.20	105.60	103.80	101.90
GR55	250 L	l/min	126.60	125.50	115.00	-	-	135.00	134.00	131.60	129.00	126.20	139.00	138.50	137.30	135.90	134.00
	300 L	l/min	141.00	140.00	128.40	-	-	150.00	149.00	146.60	143.50	140.00	154.00	153.20	152.00	150.40	148.00
	330 L	l/min	160.00	158.70	146.00	-	-	170.00	168.80	166.00	162.50	160.50	175.00	174.00	172.20	170.00	168.00
	380 L	l/min	179.00	176.70	161.00	-	-	189.50	188.00	185.00	182.00	179.00	196.00	195.00	192.80	190.50	188.00
GR60	440 L	l/min	208.00	206.00	198.00	-	-	221.00	219.00	217.00	214.00	211.00	229.50	228.50	226.00	223.00	220.00
	500 L	l/min	239.00	236.00	227.00	-	-	252.00	250.00	247.00	244.00	241.00	260.00	259.00	256.00	253.00	250.00
GR70	600 L	l/min	290.00	287.00	275.00	-	-	306.00	304.00	300.00	297.00	294.00	315.00	313.00	310.00	306.00	303.00
	660 L	l/min	316.00	314.00	301.00	-	-	335.00	332.00	328.00	325.00	321.00	343.00	341.00	337.00	3,352.50	328.00
	800 L	l/min	381.00	378.00	365.00	-	-	406.00	403.00	399.00	396.00	390.50	415.00	413.00	409.60	405.00	401.00
GR80	1,000 L	l/min	483.00	480.00	462.00	-	-	509.00	506.00	501.00	496.00	490.20	516.00	514.00	511.00	507.00	502.00
	1,200 L	l/min	586.00	582.00	562.00	-	-	615.00	612.00	606.00	600.00	594.00	627.00	625.00	621.00	615.00	610.00
GR90	1,500 L	l/min	724.70	708.10	657.40	-	-	771.30	750.30	719.70	695.90	675.80	781.00	764.80	741.00	722.50	707.00
	1,700 L	l/min	866.50	826.10	767.00	-	-	899.80	875.40	839.70	811.90	788.40	911.20	892.20	864.50	842.90	824.70
	2,000 L	l/min	990.30	944.10	876.60	-	-	1,028.40	1,000.50	959.70	927.90	901.00	1,041.40	1,019.70	988.00	963.00	942.50
	2,200 L	l/min	1,138.90	1,085.80	1,008.00	-	-	1,182.60	1,150.50	1,103.60	1,067.00	1,036.20	1,197.60	1,172.70	1,136.20	1,107.80	1,083.90
GR110	2,300 L	l/min	1,109.50	1,057.80	982.00	-	-	1,152.20	1,120.90	1,075.20	1,039.00	1,009.60	1,166.70	1,142.40	1,106.90	1,076.30	1,056.00
	2,500 L	l/min	1,257.50	1,198.80	1,113.00	-	-	1,305.80	1,270.30	1,218.50	1,178.20	1,144.20	1,322.30	1,294.80	1,254.50	1,223.20	1,196.80
	2,800 L	l/min	1,405.40	1,339.80	1,244.00	-	-	1,459.40	1,419.80	1,361.90	1,316.80	1,278.80	1,477.80	1,447.80	1,402.00	1,367.00	1,337.60
	3,200 L	l/min	1,627.30	1,551.40	1,440.40	-	-	1,689.80	1,644.00	1,576.90	1,524.70	1,480.70	1,711.20	1,675.60	1,623.50	1,583.00	1,548.80

SCREW PUMP – SMT16B Performances (2Pole – 60Hz)
SCREW PUMP – SMT16B 성능 (2Pole – 60Hz)

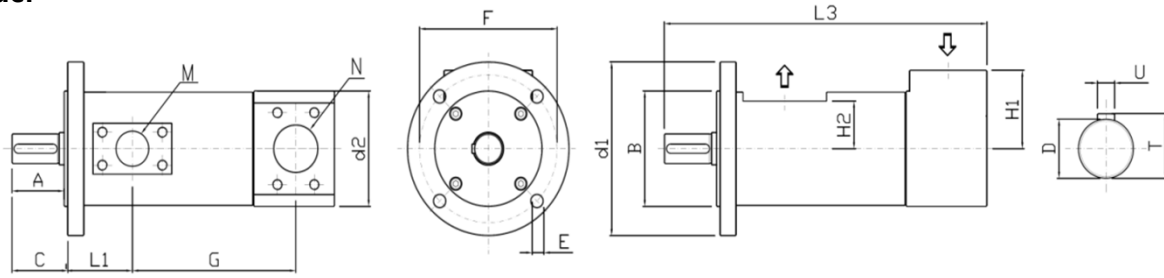
			6 cSt					68 cSt					400 cSt (*)				
			Operating pressure (bar)					Operating pressure (bar)					Operating pressure (bar)				
Tipo			5	10	20	30	40	5	10	20	30	40	5	10	20	30	40
GR20	8 L	l/min	9.96	9.60	8.64	-	-	10.80	10.56	10.32	9.96	9.60	11.52	11.16	10.80	10.32	9.96
	12 L	l/min	14.88	14.40	12.72	-	-	17.16	16.20	15.72	15.24	14.76	17.52	17.04	16.56	15.84	15.12
	15 L	l/min	19.20	18.72	16.80	-	-	22.20	21.00	20.40	19.80	19.20	22.32	21.96	21.60	20.88	20.40
	23 L	l/min	27.60	27.24	25.20	-	-	31.56	30.24	29.52	28.80	28.20	31.92	31.56	31.20	30.24	29.76
GR25	25 L	l/min	33.24	32.16	28.44	-	-	38.28	36.12	35.04	33.96	33.00	39.12	38.04	36.96	35.40	33.72
	30L	l/min	41.52	40.20	35.52	-	-	47.88	45.24	43.92	42.48	41.16	48.84	47.52	46.20	44.16	42.24
GR32	35 L	l/min	42.96	42.00	39.12	-	-	48.36	46.80	46.08	45.36	44.64	49.20	48.72	48.00	46.80	46.44
	45 L	l/min	54.24	52.80	48.72	-	-	59.16	58.56	58.08	57.60	57.00	61.56	60.96	60.36	59.04	58.56
	55 L	l/min	66.96	65.52	60.48	-	-	70.80	69.60	68.40	67.20	66.00	72.00	71.28	70.44	69.24	68.76
	75 L	l/min	91.20	89.64	82.80	-	-	98.40	96.36	95.52	93.60	90.96	98.40	97.68	96.72	95.04	94.20
GR40	100 L	l/min	118.08	116.40	108.60	-	-	127.20	124.80	120.00	115.20	111.36	128.40	127.20	126.00	123.60	122.88
	125 L	l/min	147.60	145.20	133.20	-	-	156.00	153.60	151.20	148.80	146.40	159.60	158.40	156.00	153.60	152.40
	150 L	l/min	174.00	171.60	162.00	-	-	183.60	181.20	178.80	176.40	173.40	186.72	186.00	183.60	181.20	178.80
GR45	180 L	l/min	209.04	206.40	193.20	-	-	222.00	219.60	216.00	212.40	208.80	225.60	224.40	222.00	218.40	216.00
	210 L	l/min	246.00	243.60	230.40	-	-	259.20	256.80	253.80	249.60	245.40	262.80	261.60	260.40	256.80	254.40
GR55	250 L	l/min	314.40	312.00	295.20	-	-	333.60	331.20	325.20	319.20	315.60	337.20	336.00	333.60	328.80	327.60
	300 L	l/min	352.56	349.20	331.20	-	-	369.60	366.00	361.20	356.40	351.60	373.92	372.00	369.60	364.80	362.40
	330 L	l/min	400.80	396.00	378.00	-	-	422.40	415.20	408.00	400.80	396.00	424.80	422.40	418.80	411.60	409.20
	380 L	l/min	447.60	444.00	427.56	-	-	466.80	463.80	458.40	453.60	448.80	475.20	473.28	469.20	464.52	459.60
GR60	440 L	l/min	526.56	523.20	495.60	-	-	549.60	546.00	540.00	534.00	528.00	556.80	554.40	550.80	543.60	541.20
	500 L	l/min	603.60	600.00	581.40	-	-	622.80	619.20	613.20	607.20	601.20	631.20	628.80	624.00	618.84	614.40
GR70	600 L	l/min	730.80	727.20	696.00	-	-	753.60	750.00	742.80	736.80	729.60	762.00	759.60	754.80	746.40	744.00
	660 L	l/min	795.60	792.00	763.20	-	-	820.80	817.20	811.20	805.20	798.00	829.20	826.80	822.00	811.20	808.80
	800 L	l/min	962.40	957.60	921.60	-	-	996.00	991.20	984.00	978.00	972.00	1,006.80	1,003.20	997.20	987.60	982.80
GR80	1,000 L	l/min	1,200.00	1,195.20	1,166.40	-	-	1,240.80	1,236.00	1,228.80	1,220.40	1,212.00	1,251.60	1,248.00	1,242.00	1,231.20	1,227.60
	1,200 L	l/min	1,461.60	1,456.80	1,404.00	-	-	1,504.80	1,500.00	1,490.40	1,480.80	1,470.00	1,521.60	1,516.80	1,509.60	1,496.40	1,489.20
GR90	1,500 L	l/min	1,808.64	1,753.56	1,673.16	-	-	1,853.88	1,820.64	1,772.04	1,734.24	1,702.32	1,869.36	1,843.56	1,805.76	1,776.36	1,751.64
	1,700 L	l/min	2,109.96	2,045.76	1,952.04	-	-	2,162.88	2,124.00	2,067.36	2,023.20	1,986.00	2,180.88	2,150.76	2,106.72	2,072.52	2,043.60
	2,000 L	l/min	2,411.40	2,338.08	2,230.80	-	-	2,471.88	2,427.48	2,362.68	2,312.28	2,269.80	2,492.40	2,458.08	2,407.80	2,368.56	2,335.56
	2,200 L	l/min	2,773.20	2,688.84	2,565.60	-	-	2,842.56	2,791.68	2,717.28	2,659.08	2,610.24	2,866.32	2,826.72	2,768.88	2,724.00	2,685.96
GR110	2,300 L	l/min	2,701.68	2,619.48	2,499.36	-	-	2,769.36	2,719.68	2,647.08	2,590.56	2,542.92	2,792.40	2,753.88	2,697.60	2,653.68	2,616.72
	2,500 L	l/min	3,061.92	2,968.80	2,832.60	-	-	3,138.60	3,082.32	3,000.00	2,936.04	2,882.04	3,164.76	3,121.20	3,057.24	3,007.56	2,965.56
	2,800 L	l/min	3,422.16	3,318.00	3,165.84	-	-	3,507.84	3,444.96	3,351.84	3,281.40	3,221.04	3,537.12	3,488.28	3,416.88	3,361.20	3,314.40
	3,200 L	l/min	3,962.52	3,841.92	3,665.76	-	-	4,061.76	3,988.92	3,882.48	3,799.56	3,729.60	4,095.60	4,039.20	3,956.40	3,892.08	3,837.60

SCREW PUMP – SMT16B Performances (4Pole – 60Hz)
SCREW PUMP – SMT16B 성능 (4Pole – 60Hz)

			6 cSt					68 cSt					400 cSt (*)				
			Operating pressure (bar)					Operating pressure (bar)					Operating pressure (bar)				
Tipo			5	10	20	30	40	5	10	20	30	40	5	10	20	30	40
GR20	8 L	l/min	4.47	4.34	3.62	-	-	5.07	4.83	4.71	4.47	4.22	5.43	5.31	5.19	5.07	4.95
	12 L	l/min	6.88	6.64	5.67	-	-	7.48	7.36	7.24	7.00	6.64	8.33	8.21	8.09	7.97	7.84
	15 L	l/min	8.81	8.45	7.12	-	-	9.90	9.66	9.41	8.93	8.45	10.74	10.62	10.50	10.26	9.90
	23 L	l/min	13.03	12.55	10.74	-	-	14.24	13.88	13.52	13.03	12.43	15.45	15.33	15.09	14.72	14.24
GR25	25 L	l/min	15.33	14.84	12.67	-	-	16.66	16.41	16.17	15.57	14.84	18.59	18.34	18.10	17.74	17.50
	30L	l/min	19.19	18.47	15.81	-	-	20.88	20.52	20.16	19.55	18.47	23.29	22.93	22.57	22.21	21.84
GR32	35 L	l/min	19.67	19.19	16.90	-	-	22.21	21.72	21.00	20.16	19.31	24.02	23.78	23.53	23.05	22.69
	45 L	l/min	24.74	24.14	21.48	-	-	27.52	27.16	26.55	25.59	24.74	30.17	29.93	29.45	28.84	28.24
	55 L	l/min	30.66	29.93	26.55	-	-	33.79	33.31	32.34	31.38	30.17	35.97	35.00	34.64	34.03	33.31
	75 L	l/min	41.64	41.03	37.41	-	-	47.07	46.47	44.66	43.45	42.24	49.24	48.28	47.55	46.83	45.86
GR40	100 L	l/min	58.05	53.71	47.07	-	-	60.59	60.10	57.93	56.36	54.55	63.60	62.76	61.91	60.59	59.14
	125 L	l/min	68.07	66.98	58.90	-	-	74.10	73.62	71.21	69.03	67.34	79.17	78.45	77.24	76.03	74.59
	150 L	l/min	80.86	79.90	70.48	-	-	88.59	87.98	85.69	82.79	80.86	92.93	91.97	90.76	89.31	87.74
GR45	180 L	l/min	98.36	97.03	89.31	-	-	106.93	106.21	105.60	100.66	98.00	112.12	111.03	109.59	107.78	106.09
	210 L	l/min	116.10	1,148.97	103.79	-	-	124.31	123.10	119.48	116.10	113.81	130.34	129.38	127.45	125.28	122.98
GR55	250 L	l/min	152.79	151.47	138.79	-	-	162.93	161.72	158.83	155.69	152.31	167.76	167.16	165.71	164.02	161.72
	300 L	l/min	170.17	168.97	154.97	-	-	181.03	179.83	176.93	173.19	168.97	185.86	184.90	183.45	181.52	178.62
	330 L	l/min	193.10	191.53	176.21	-	-	205.17	203.72	200.34	196.12	193.71	211.21	210.00	207.83	205.17	202.76
	380 L	l/min	216.03	213.26	194.31	-	-	228.71	226.90	223.28	219.66	216.03	236.55	235.34	232.69	229.91	226.90
GR60	440 L	l/min	251.03	248.62	238.97	-	-	266.72	264.31	261.90	258.28	254.66	276.98	275.78	272.76	269.14	265.52
	500 L	l/min	288.45	284.83	273.97	-	-	304.14	301.72	298.10	294.48	290.86	313.79	312.59	308.97	305.34	301.72
GR70	600 L	l/min	350.00	346.38	331.90	-	-	369.31	366.90	362.07	358.45	354.83	380.17	377.76	374.14	369.31	365.69
	660 L	l/min	381.38	378.97	363.28	-	-	404.31	400.69	395.86	392.24	387.41	413.97	411.55	406.72	4,046.12	395.86
	800 L	l/min	459.83	456.21	440.52	-	-	490.00	486.38	481.55	477.93	471.29	500.86	498.45	494.34	488.79	483.97
GR80	1,000 L	l/min	582.93	579.31	557.59	-	-	614.31	610.69	604.66	598.62	591.62	622.76	620.34	616.72	611.90	605.86
	1,200 L	l/min	707.24	702.41	678.28	-	-	742.24	738.62	731.38	724.14	716.90	756.72	754.31	749.48	742.24	736.21
GR90	1,500 L	l/min	874.64	854.60	793.41	-	-	930.88	905.53	868.60	839.88	815.62	942.59	923.03	894.31	871.98	853.28
	1,700 L	l/min	1,045.78	997.02	925.69	-	-	1,085.97	1,056.52	1,013.43	979.88	951.52	1,099.72	1,076.79	1,043.36	1,017.29	995.33
	2,000 L	l/min	1,195.19	1,139.43	1,057.97	-	-	1,241.17	1,207.50	1,158.26	1,119.88	1,087.41	1,256.86	1,230.67	1,192.41	1,162.24	1,137.50
	2,200 L	l/min	1,374.53	1,310.45	1,216.55	-	-	1,427.28	1,388.53	1,331.93	1,287.76	1,250.59	1,445.38	1,415.33	1,371.28	1,337.00	1,308.16
GR110	2,300 L	l/min	1,339.05	1,276.66	1,185.17	-	-	1,390.59	1,352.81	1,297.66	1,253.97	1,218.48	1,408.09	1,378.76	1,335.91	1,298.98	1,274.48
	2,500 L	l/min	1,517.67	1,446.83	1,343.28	-	-	1,575.97	1,533.12	1,470.60	1,421.97	1,380.93	1,595.88	1,562.69	1,514.05	1,476.28	1,444.41
	2,800 L	l/min	1,696.17	1,617.00	1,501.38	-	-	1,761.34	1,713.55	1,643.67	1,589.24	1,543.38	1,783.55	1,747.34	1,692.07	1,649.83	1,614.34
	3,200 L	l/min	1,963.98	1,872.38	1,738.41	-	-	2,039.41	1,984.14	1,903.16	1,840.16	1,787.05	2,065.24	2,022.28	1,959.40	1,910.52	1,869.24

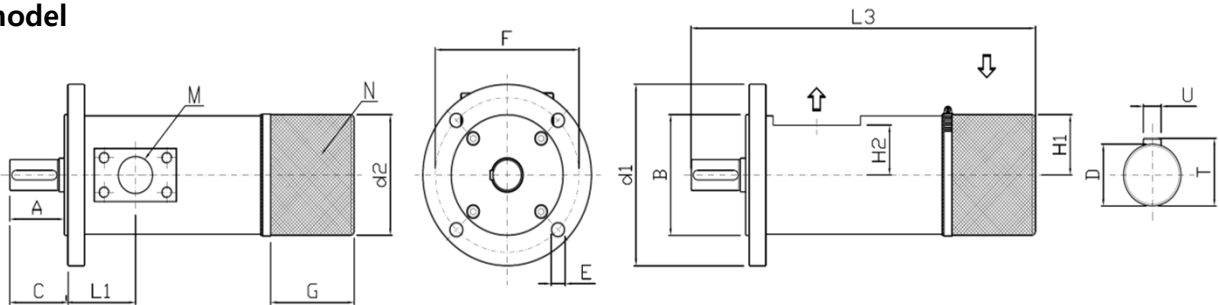
SCREW PUMP – SMT & SMIT MODEL DIMENSION
SCREW PUMP – SMT & SMIT 모델 치수

SMT model



Type	Flange				Shaft				Suction		Discharge		Pump					
	B	E	F	d1	A	D	T	U	N	H1	M	H2	C	d2	L3	L1	G	Kg
GR 20 8-12-15-20L	80	11	103	125	31	14	16	5	1/2" GAS	25	1/2" GAS	25	41	65	250	60	127	5.8
GR32 35-45-55-75L	100	11	125	150	36	19	21.5	6	1 1/4" SAE	54.5	1" SAE	41	42	95.5	340	74	182	6.5
GR40 100-125-150L	125	14	160	188	36	19	21.5	6	1 1/2" SAE	65	1 1/4" SAE	46.5	40	112	394	80	220	10.8
GR45 180-210L	125	14	160	188	55	32	35	10	2" SAE	83.5	1 1/2" SAE	51.5	64.5	126.5	437	95	235	15
GR55 250-300-330-380L	160	18	200	235	55	32	35	10	2 1/2" SAE	94	2" SAE	54	64.5	148.5	517	103	286	23.5
GR60 440-500L	160	18	200	235	55	32	35	10	3" SAE	105	2 1/2" SAE	63.5	66	160	560	112	320	30
GR70 600-660-800L	200	22	250	300	55	32	35	10	3 1/2" SAE	110	3" SAE	83	67	181	652	122	405	44
GR80 1000-1200L	200	22	250	300	60	38	41	10	4" SAE	125	3" SAE	83	76	212	768	159	460	59

SMIT16B model



Type	Flange				Shaft				Discharge		Pump					
	B	E	F	d1	A	D	T	U	M	H2	C	G	d2	L1	L3	Kg
GR 20 8-12-15-20L	80	11	103	125	31	14	16	5	3/8" GAS	25	41	40	60	60	240	1.8
GR32 35-45-55-75L	100	11	125	150	36	19	21.5	6	1" SAE	41	42	70	96	96	345	6.5
GR40 100-125-150L	125	14	160	188	36	19	21.5	6	1 1/4" SAE	46.5	46	70	110	110	386	10.5
GR45 180-210L	125	14	160	188	55	32	35	10	1 1/2" SAE	51.5	64.5	70	124	124	417	15
GR55 250-300-330-380L	160	18	200	235	55	32	35	10	2" SAE	54	64.5	100	145	145	512	26.5
GR60 440-500L	160	18	200	235	55	32	35	10	2 1/2" SAE	63.5	66	100	155	155	540	30.5
GR70 600-660-800L	200	22	250	300	55	32	35	10	3" SAE	83	67	100	182	182	620	47
GR80 1000-1200L	220	22	250	300	60	38	41	10	3" SAE	83	76	100	202	202	730	60

SCREW PUMP – SMT Performances (2Pole – 50Hz)
SCREW PUMP – SMT 성능 (2Pole – 50Hz)

			6 cSt							68 cSt							400 cSt (*)									
			Operating Pressure							Operating Pressure							Operating Pressure									
Type			10	20	30	40	50	60	70	80	10	20	30	40	50	60	70	80	10	20	30	40	50	60	70	80
GR20	8L	l/min	8.2	7.4	6.6	5.8	5.2				8.8	8.6	8.3	8	7.7	7.4	7.1	6.5	9.3	9	8.7	8.4	8.1	7.8	7.5	7
	12L	l/min	12.3	11	9.8	8.6	7.5				13.5	13.1	12.7	12.3	11.8	11.3	10.8	10	14.2	13.8	13.4	12.8	12.3	11.8	11.4	11
	15L	l/min	15.9	14.4	13.1	11.8	10.5				17.5	17	16.5	16	15.7	15.3	14.9	14	18.3	18	17.6	17.2	16.7	16.2	15.8	15.5
	23L	l/min	23	21.2	19.5	18	16.4				25.2	24.6	24	23.5	23	22.5	22	21	26.3	26	25.5	25.1	24.7	24.2	23.8	23.3
GR32	35L	l/min	35.6	33.1	30.8	28.8	26.6				39	38.4	37.8	37.2	36.5	35.8	35	33.5	40.6	40	39.5	39	38.4	38	37.5	37
	45L	l/min	44.6	41.3	38.4	36.2	33.2				48.8	48.4	48	47.5	47	46.3	45.5	44	50.8	50.3	49.7	49.2	48.8	48.4	47.8	47.3
	55L	l/min	55.2	51.3	47.6	44.1	40.7				58	57	56	55	54	52.7	51.4	50	59.4	58.7	58.1	57.6	57	56.3	55.5	54.6
	75L	l/min	75.4	70	64.9	59.5	54.8				80.3	79.6	78	75.8	73.8	71.6	70	67.7	81.4	80.6	79.7	79	78.2	77.2	76.2	75.1
GR40	100L	l/min	98	92	85.8	80.2	75				104	100	96	92.8	89.7	85	80.3	76	106	105	104	103	102	101	99.8	98.5
	125L	l/min	122	113	105.5	98	90.4				128	126	124	122	119.5	117	114.5	108.5	132	130	129	128	126	125	123.6	122
	150L	l/min	145	136.5	129	121	113.6				151	149	147	144	142	139.5	137	132	155	153	152	150	149	148	146	144.5
GR45	180L	l/min	174	163	152	142	132.6				183	180	177	174	170.5	167	163.5	156.5	187	185	183	181	180	178	175.5	173
	210L	l/min	20	195	184	174	164				214	211.5	208	204.5	201	197.5	194	192.1	218	217	215	213	211	209	206.6	204
GR55	250L	l/min	265	251	239	228	217				276	271	266	263	260	257	253	249	280	278	276	274	272	269	266	264
	300L	l/min	296	282	270	259	248				305.5	301	297	293	289	285	281	273	310	308	306	305	303	300	297	294
	330L	l/min	336	322	310	298	288				346	340	334	330	326	322	317	310	352	349	346	344	341	338	335	332
	380L	l/min	374	356	339	324	308				386.5	382	378	374	370	365.5	361	351	394	391	388	386	383	380	377	374
GR60	440L	l/min	440	418	398	379	360				455	450	445	440	434.5	429	423.5	412	462	459	456	453	450	446	443	439
	500L	l/min	502	480	460	441	422				516.5	511.5	506.5	501	495	489	483	470	524	520	517	514	511	507	504	500
GR70	600L	l/min	610	587	567	547	528				625	619.5	614	608	602	595.5	589	572	633	629	626	623	620	615	610	606
	660L	l/min	665	643	623	603	584				681	675.5	671	665	659	652.5	646	632	689	685	682	679	675	670	665	661
	800L	l/min	805	775	747	720	694				826	820	815	810	804.5	799.5	794.5	775	836	831	827	822	818	813	807	802
GR80	1.000L	l/min	1008	978	951	924					1030	1024	1017	1010	1002	995	986	965	1040	1035	1031	1026	1022	1017	1012	1006
	1.200L	l/min	1222	1181	1143	1108					1250	1242	1234	1225	1212	1194	1176	1152	1264	1258	1252	1.46	1240	1233	1226	1220

SCREW PUMP – SMT Performances (4Pole – 50Hz)
SCREW PUMP – SMT 성능 (4Pole – 50Hz)

			6 cSt								68 cSt								400 cSt (*)							
			Operating Pressure								Operating Pressure								Operating Pressure							
Type			10	20	30	40	50	60	70	80	10	20	30	40	50	60	70	80	10	20	30	40	50	60	70	80
GR20	8L	l/min	3.60	3.00	2.40	1.90					4.10	4.00	3.80	3.60	3.50	3.40	3.20	3.00	4.50	4.40	4.30	4.10	4.00	3.90	3.80	3.60
	12L	l/min	5.50	4.70	3.90	3.00					6.30	6.10	5.90	5.60	5.40	5.20	4.90	4.60	6.90	6.80	6.60	6.50	6.30	6.00	5.80	5.60
	15L	l/min	7.00	5.90	5.00	4.00					8.20	7.90	7.50	7.10	6.60	6.50	6.20	6.00	8.90	8.70	8.50	8.20	8.00	7.80	7.60	7.30
	23L	l/min	10.40	8.90	7.00	-					11.80	11.40	10.90	10.50	10.00	9.70	9.40	9.00	12.80	12.50	12.20	11.80	11.50	11.30	11.00	10.70
GR32	35L	l/min	16.00	14.30	12.80	11.20	9.90				18.20	17.60	16.90	16.30	15.70	15.10	14.50	13.80	19.80	19.50	19.10	18.80	18.40	18.10	17.80	17.50
	45L	l/min	20.20	18.10	16.20	14.20	12.60				22.70	22.10	21.40	20.70	20.00	19.20	18.60	17.90	24.90	24.40	23.90	23.40	23.00	22.70	22.40	21.90
	55L	l/min	25.00	22.50	19.80	17.20	15.40				28.00	27.00	26.20	25.30	24.40	23.30	22.60	21.50	29.20	28.70	28.20	27.60	27.10	26.60	26.20	25.60
	75L	l/min	34.20	31.50	28.80	26.40					38.80	37.50	36.30	35.10	34.00	32.70	31.80	30.50	40.10	39.40	38.80	38.00	37.30	36.60	36.00	35.20
GR40	100L	l/min	44.70	39.60	34.60	29.50	23.80				50.20	48.60	47.20	45.80	44.30	42.70	41.00	39.60	52.20	51.30	50.20	49.00	48.00	47.20	46.00	44.80
	125L	l/min	55.80	49.30	43.60	37.00	30.90				61.30	59.90	57.80	56.00	54.00	52.20	50.20	48.20	65.00	64.00	63.00	61.80	60.80	59.80	59.00	57.80
	150L	l/min	66.50	58.90	51.30	44.00					73.30	71.60	69.80	68.00	66.40	64.60	63.20	61.40	76.40	75.20	74.00	72.70	71.40	70.20	69.20	67.90
GR45	180L	l/min	80.80	74.90	69.10	63.40	57.00				88.40	86.40	84.20	82.20	80.40	78.20	76.00	74.00	92.20	90.80	89.30	87.90	86.40	84.90	83.40	82.00
	210L	l/min	65.60	86.60	77.70	68.90	58.90				102.40	100.00	97.50	95.10	92.70	90.30	88.00	85.40	107.40	105.60	103.80	101.90	100.00	98.20	96.60	94.70
GR55	250L	l/min	126.00	116.20	106.20	97.00	86.40				134.60	132.30	130.00	127.70	125.40	123.00	121.00	118.80	138.70	137.30	135.90	134.40	132.90	131.40	130.20	128.70
	300L	l/min	140.40	125.90	118.80	108.20	106.00				149.70	147.20	144.50	142.00	139.50	137.00	134.70	132.00	153.50	152.00	150.40	148.80	147.10	145.50	144.00	142.40
	330L	l/min	159.20	147.00	134.78	122.60					169.50	167.00	164.60	162.20	159.70	157.30	155.00	152.50	174.30	172.20	170.20	168.30	166.20	164.20	162.00	160.00
	380L	l/min	177.20	162.40	148.20	132.80					188.50	186.00	183.40	180.80	178.40	175.90	173.50	171.00	195.20	192.80	190.50	188.00	185.60	183.10	181.00	178.50
GR60	440L	l/min	207.00	199.60	192.00	184.00					220.80	218.20	215.50	212.70	210.40	207.70	205.00	202.60	228.80	226.20	223.50	220.70	217.90	215.10	212.50	209.80
	500L	l/min	237.00	228.60	220.00	210.60					251.00	248.30	245.70	243.00	240.30	237.80	235.00	232.20	259.50	256.40	253.40	250.20	247.00	244.00	241.00	238.00
GR70	600L	l/min	288.00	277.00	266.40	256.00					305.00	301.80	298.70	295.60	292.30	289.30	286.00	282.60	314.00	310.40	306.80	303.00	299.50	295.00	292.00	289.00
	660L	l/min	314.00	303.00	293.70	282.00					333.00	329.70	326.30	323.00	319.60	316.30	313.00	309.60	342.00	337.40	332.80	328.00	323.40	318.80	314.00	310.00
	800L	l/min	379.80	366.60	353.70	341.00					404.00	400.50	396.90	393.30	389.60	386.10	383.00	379.60	414.00	409.80	405.60	401.30	397.00	393.00	389.00	385.00
GR80	1.000L	l/min	481.00	464.60	447.00	432.00					507.00	502.60	498.00	493.80	489.40	485.00	481.00	476.50	515.00	511.00	507.00	502.50	498.00	494.00	489.00	485.00
	1.200L	l/min	584.00	564.00	544.00	525.00					613.00	608.00	602.60	597.40	592.30	587.00	582.00	576.60	626.00	621.00	615.60	610.50	605.00	600.00	594.00	590.00

SCREW PUMP – SMT Performances (2Pole – 60Hz)
SCREW PUMP – SMT 성능 (2Pole – 60Hz)

			6 cSt								68 cSt								400 cSt (*)							
			Operating Pressure								Operating Pressure								Operating Pressure							
Type			10	20	30	40	50	60	70	80	10	20	30	40	50	60	70	80	10	20	30	40	50	60	70	80
GR20	8L	l/min	9.9	8.9	8.0	7.0	6.3	-	-	-	10.6	10.4	10.0	9.7	9.3	8.9	8.6	7.8	11.2	10.9	10.5	10.1	9.8	9.4	9.1	8.4
	12L	l/min	14.8	13.3	11.8	10.4	9.1				16.3	15.8	15.3	14.8	14.2	13.6	13.0	12.1	17.1	16.7	16.2	15.4	14.8	14.2	13.8	13.3
	15L	l/min	19.2	17.4	15.8	14.2	12.7				21.1	20.5	19.9	19.3	18.9	18.5	18.0	16.9	22.1	21.7	21.2	20.8	20.2	19.6	19.1	18.7
	23L	l/min	27.8	25.6	23.5	21.7	19.8				30.4	29.7	29.0	28.4	27.8	27.2	26.6	25.3	31.7	31.4	30.8	30.3	29.8	29.2	28.7	28.1
GR32	35L	l/min	43.0	39.9	37.2	34.8	32.1				47.1	46.3	45.6	44.9	44.1	43.2	42.2	40.4	49.0	48.3	47.7	47.1	46.3	45.9	45.3	44.7
	45L	l/min	53.8	49.8	46.3	43.7	40.1				58.9	58.4	57.9	57.3	56.7	55.9	54.9	53.1	61.3	60.7	60.0	59.4	58.9	58.4	57.7	57.1
	55L	l/min	66.6	61.9	57.4	53.2	49.1				70.0	68.8	67.6	66.4	65.2	63.6	62.0	60.3	71.7	70.8	70.1	69.5	68.8	67.9	67.0	65.9
	75L	l/min	91.0	84.5	78.3	71.8	66.1				96.9	96.1	94.1	91.5	89.1	86.4	84.5	81.7	98.2	97.3	96.2	95.3	94.4	93.2	92.0	90.6
GR40	100L	l/min	118.3	111.0	103.6	96.8	90.5				125.5	120.7	115.9	112.0	108.3	102.6	96.9	91.7	127.9	126.7	125.5	124.3	123.1	121.9	120.4	118.9
	125L	l/min	147.2	136.4	127.3	118.3	109.1				154.5	152.1	149.7	147.2	144.2	141.2	138.2	130.9	159.3	156.9	155.7	154.5	152.1	150.9	149.2	147.2
	150L	l/min	175.0	164.7	155.7	146.0	137.1				182.2	179.8	177.4	173.8	171.4	168.4	165.3	159.3	187.1	184.7	183.4	181.0	179.8	178.6	176.2	174.4
GR45	180L	l/min	210.0	196.7	183.4	171.4	160.0				220.9	217.2	213.6	210.0	205.8	201.6	197.3	188.9	225.7	223.3	220.9	218.4	217.2	214.8	211.8	208.8
	210L	l/min	241	235.3	222.1	210.0	197.9				258.3	255.3	251.0	246.8	242.6	238.4	234.1	231.8	263.1	261.9	259.5	257.1	254.7	252.2	249.3	246.2
GR55	250L	l/min	319.8	302.9	288.4	275.2	261.9				333.1	327.1	321.0	317.4	313.8	310.2	305.3	300.5	337.9	335.5	333.1	330.7	328.3	324.7	321.0	318.6
	300L	l/min	357.2	340.3	325.9	312.6	299.3				368.7	363.3	358.4	353.6	348.8	344.0	339.1	329.5	374.1	371.7	369.3	368.1	365.7	362.1	358.4	354.8
	330L	l/min	405.5	388.6	374.1	359.7	347.6				417.6	410.3	403.1	398.3	393.4	388.6	382.6	374.1	424.8	421.2	417.6	415.2	411.6	407.9	404.3	400.7
	380L	l/min	451.4	429.7	409.1	391.0	371.7				466.5	461.0	456.2	451.4	446.6	441.1	435.7	423.6	475.5	471.9	468.3	465.9	462.2	458.6	455.0	451.4
GR60	440L	l/min	531.0	504.5	480.3	457.4	434.5				549.1	543.1	537.1	531.0	524.4	517.8	511.1	497.2	557.6	554.0	550.3	546.7	543.1	538.3	534.7	529.8
	500L	l/min	605.9	579.3	555.2	532.2	509.3				623.4	617.3	611.3	604.7	597.4	590.2	582.9	567.2	632.4	627.6	624.0	620.3	616.7	611.9	608.3	603.4
GR70	600L	l/min	736.2	708.4	684.3	660.2	637.2				754.3	747.7	741.0	733.8	726.6	718.7	710.9	690.3	764.0	759.1	755.5	751.9	748.3	742.2	736.2	731.4
	660L	l/min	802.6	776.0	751.9	727.8	704.8				821.9	815.3	809.8	802.6	795.3	787.5	779.7	762.8	831.6	826.7	823.1	819.5	814.7	808.6	802.6	797.8
	800L	l/min	971.6	935.3	901.6	869.0	837.6				996.9	989.7	983.6	977.6	970.9	964.9	958.9	935.3	1,009.0	1,002.9	998.1	992.1	987.2	981.2	974.0	967.9
GR80	1.000L	l/min	1,216.6	1,180.3	1,147.8	1,115.2	-				1,243.1	1,235.9	1,227.4	1,219.0	1,209.3	1,200.9	1,190.0	1,164.7	1,255.2	1,249.1	1,244.3	1,238.3	1,233.4	1,227.4	1,221.4	1,214.1
	1.200L	l/min	1,474.8	1,425.3	1,379.5	1,337.2	-				1,508.6	1,499.0	1,489.3	1,478.4	1,462.8	1,441.0	1,419.3	1,390.3	1,525.5	1,518.3	1,511.0	1,505.0	1,496.6	1,488.1	1,479.7	1,472.4

SCREW PUMP – SMT Performances (4Pole – 60Hz)
SCREW PUMP – SMT 성능 (4Pole – 60Hz)

			6 cSt								68 cSt								400 cSt (*)							
			Operating Pressure								Operating Pressure								Operating Pressure							
Type			10	20	30	40	50	60	70	80	10	20	30	40	50	60	70	80	10	20	30	40	50	60	70	80
GR20	8L	l/min	4.34	3.62	2.90	2.29					4.95	4.83	4.59	4.34	4.22	4.10	3.86	3.62	5.43	5.31	5.19	4.95	4.83	4.71	4.59	4.34
	12L	l/min	6.64	5.67	4.71	3.62					7.60	7.36	7.12	6.76	6.52	6.28	5.91	5.55	8.33	8.21	7.97	7.84	7.60	7.24	7.00	6.76
	15L	l/min	8.45	7.12	6.03	4.83					9.90	9.53	9.05	8.57	7.97	7.84	7.48	7.24	10.74	10.50	10.26	9.90	9.66	9.41	9.17	8.81
	23L	l/min	12.55	10.74	8.45						14.24	13.76	13.16	12.67	12.07	11.71	11.34	10.86	15.45	15.09	14.72	14.24	13.88	13.64	13.28	12.91
GR32	35L	l/min	19.31	17.26	15.45	13.52	11.95				21.97	21.24	20.40	19.67	18.95	18.22	17.50	16.66	23.90	23.53	23.05	22.69	22.21	21.84	21.48	21.12
	45L	l/min	24.38	21.84	19.55	17.14	15.21				27.40	26.67	25.83	24.98	24.14	23.17	22.45	21.60	30.05	29.45	28.84	28.24	27.76	27.40	27.03	26.43
	55L	l/min	30.17	27.16	23.90	20.76	18.59				33.79	32.59	31.62	30.53	29.45	28.12	27.28	25.95	35.24	34.64	34.03	33.31	32.71	32.10	31.62	30.90
	75L	l/min	41.28	38.02	34.76	31.86					46.83	45.26	43.81	42.36	41.03	39.47	38.38	36.81	48.40	47.55	46.83	45.86	45.02	44.17	43.45	42.48
GR40	100L	l/min	53.95	47.79	41.76	35.60	28.72				60.59	58.66	56.97	55.28	53.47	51.53	49.48	47.79	63.00	61.91	60.59	59.14	57.93	56.97	55.52	54.07
	125L	l/min	67.34	59.50	52.62	44.66	37.29				73.98	72.29	69.76	67.59	65.17	63.00	60.59	58.17	78.45	77.24	76.03	74.59	73.38	72.17	71.21	69.76
	150L	l/min	80.26	71.09	61.91	53.10					88.47	86.41	84.24	82.07	80.14	77.97	76.28	74.10	92.21	90.76	89.31	87.74	86.17	84.72	83.52	81.95
GR45	180L	l/min	97.52	90.40	83.40	76.52	68.79				106.69	104.28	101.62	99.21	97.03	94.38	91.72	89.31	111.28	109.59	107.78	106.09	104.28	102.47	100.66	98.97
	210L	l/min	79.17	104.52	93.78	83.16	71.09				123.59	120.69	117.67	114.78	111.88	108.98	106.21	103.07	129.62	127.45	125.28	122.98	120.69	118.52	116.59	114.29
GR55	250L	l/min	152.07	140.24	128.17	117.07	104.28				162.45	159.67	156.90	154.12	151.34	148.45	146.03	143.38	167.40	165.71	164.02	162.21	160.40	158.59	157.14	155.33
	300L	l/min	169.45	151.95	143.38	130.59	127.93				180.67	177.66	174.40	171.38	168.36	165.34	162.57	159.31	185.26	183.45	181.52	179.59	177.53	175.60	173.79	171.86
	330L	l/min	192.14	177.41	162.67	147.97					204.57	201.55	198.66	195.76	192.74	189.84	187.07	184.05	210.36	207.83	205.41	203.12	200.59	198.17	195.52	193.10
	380L	l/min	213.86	196.00	178.86	160.28					227.50	224.48	221.34	218.21	215.31	212.29	209.40	206.38	235.59	232.69	229.91	226.90	224.00	220.98	218.45	215.43
GR60	440L	l/min	249.83	240.90	231.72	222.07					266.48	263.34	260.09	256.71	253.93	250.67	247.41	244.52	276.14	273.00	269.74	266.36	262.98	259.60	256.47	253.21
	500L	l/min	286.03	275.90	265.52	254.17					302.93	299.67	296.53	293.28	290.02	287.00	283.62	280.24	313.19	309.45	305.83	301.97	298.10	294.48	290.86	287.24
GR70	600L	l/min	347.59	334.31	321.52	308.97					368.10	364.24	360.50	356.76	352.78	349.16	345.17	341.07	378.97	374.62	370.28	365.69	361.47	356.03	352.41	348.79
	660L	l/min	378.97	365.69	354.47	340.34					401.90	397.91	393.81	389.83	385.72	381.74	377.76	373.66	412.76	407.21	401.66	395.86	390.31	384.76	378.97	374.14
	800L	l/min	458.38	442.45	426.88	411.55					487.59	483.36	479.02	474.67	470.21	465.98	462.24	458.14	499.66	494.59	489.52	484.33	479.14	474.31	469.48	464.66
GR80	1.000L	l/min	580.52	560.72	539.48	521.38					611.90	606.59	601.03	595.97	590.66	585.34	580.52	575.09	621.55	616.72	611.90	606.47	601.03	596.21	590.17	585.34
	1.200L	l/min	704.83	680.69	656.55	633.62					739.83	733.79	727.28	721.00	714.84	708.45	702.41	695.90	755.52	749.48	742.97	736.81	730.17	724.14	716.90	712.07

Fluma Co., Ltd.



주식회사 플루마 Fluma Co., Ltd.

(우)50877 경상남도 김해시 주촌면 서부로1499번길22-60(주촌면)

Tel: 055-909-8129 Fax:055-909-8130

22-60, Seobu-ro 1499 beon-gil, Juchon-myeon,
Gimhae-si, Gyeongsangnam -do, Rep. of Korea

영업

심재문 대표

메일 : jmshim@fluma.co.kr, www.fluma.co.kr

전화 : +82 55 909 8129 / 팩스 : +82 55 909 8130

핸드폰 : +82 10 2561 8129

정현성 이사

메일 : hsjung@fluma.co.kr, www.fluma.co.kr

전화 : +82 55 909 8129 / 팩스 : +82 55 909 8130

핸드폰 : +82 10 9525 6263

Sales contact persons

Jae-mun, Shim / President,

E-mail : jmshim@fluma.co.kr, www.fluma.co.kr

Tel. : +82 55 909 8129 / Fax. : +82 55 909 8130

M.P : +82 10 2561 8129

Hyeon-sung, Jung / Director,

E-mail : hsjung@fluma.co.kr, www.fluma.co.kr

Tel. : +82 55 909 8129 / Fax. : +82 55 909 8130

M.P : +82 10 9525 6263